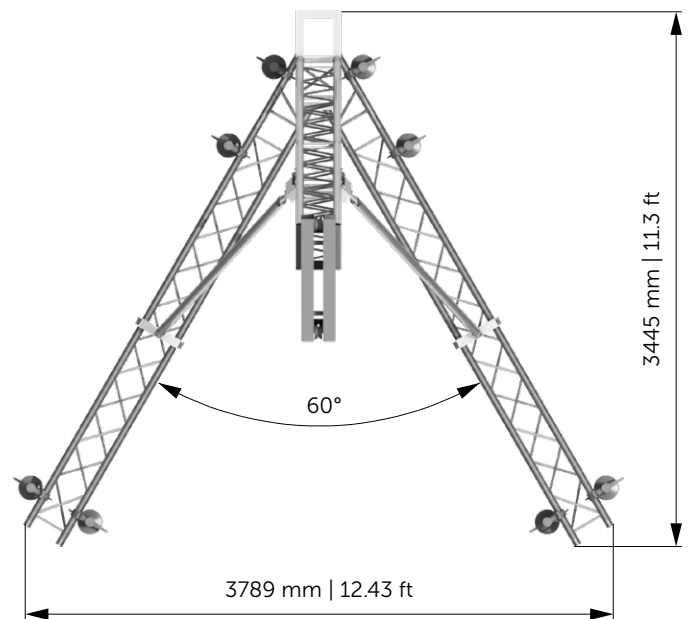
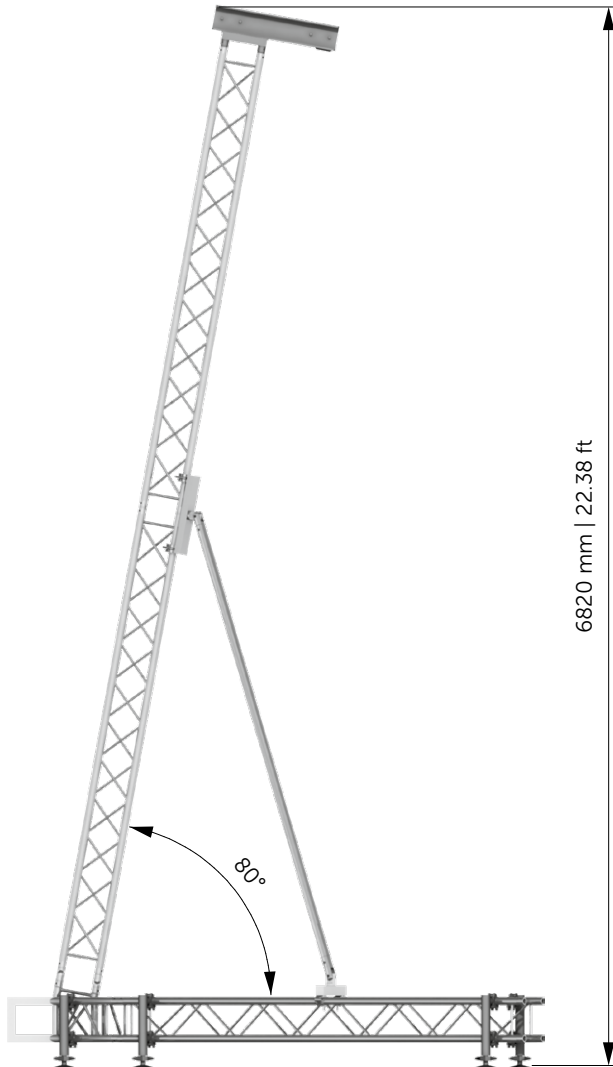


## SIZE



## PART LIST

Type	Quantity
TT34-300	4
BASE CORNER 60°	1
REAR STABILISER	1
CONNECTION STAB	2
TOP SECTION	1
STABILIZER PIPES 60x5	2
SCREW JACK ATTACHMENT	8
SCREW JACK	8

## SPECIFICATIONS

MAX.LIFTING HEIGHT	6.6m (21.65ft)
MAX.LOADING CAPACITY	800kg (1 764lb)
MAIN TUBE	50x4mm (2x0,16")
BRACES	20x2mm (0,8x0,08")
ALLOY	EN-AW 6082 T6